



NVMe Conformance and Interoperability

David Woolf, University of New Hampshire's Interoperability Lab

- **NVMe Test Program Overview**
- May 2013 NVMe Plugfest
- NVMe Integrators List
- Improving the Test Program – Continue to Climb





- NVMe Test Program is focused on a public Integrators List hosted by UNH-IOL
- Promoters group decides the qualifications for a product to get on the Integrators List
- UNH-IOL performs the testing to determine if a products meets those qualifications

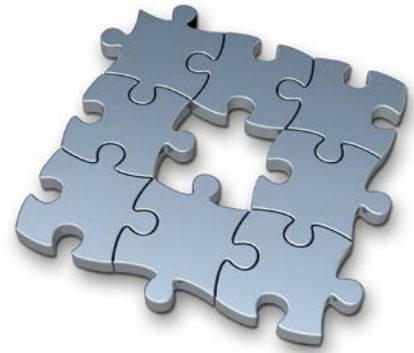




- New Testing Requirements approved by NVMe Promoters group and debuted at plugfests
- Testing for Integrators List performed throughout the year at UNH-IOL.
- UNH-IOL makes test tools available to members to enable conformance checking



- NVMe Test Program Overview
- **May 2013 NVMe Plugfest**
- NVMe Integrators List
- Improving the Test Program – Continue to Climb



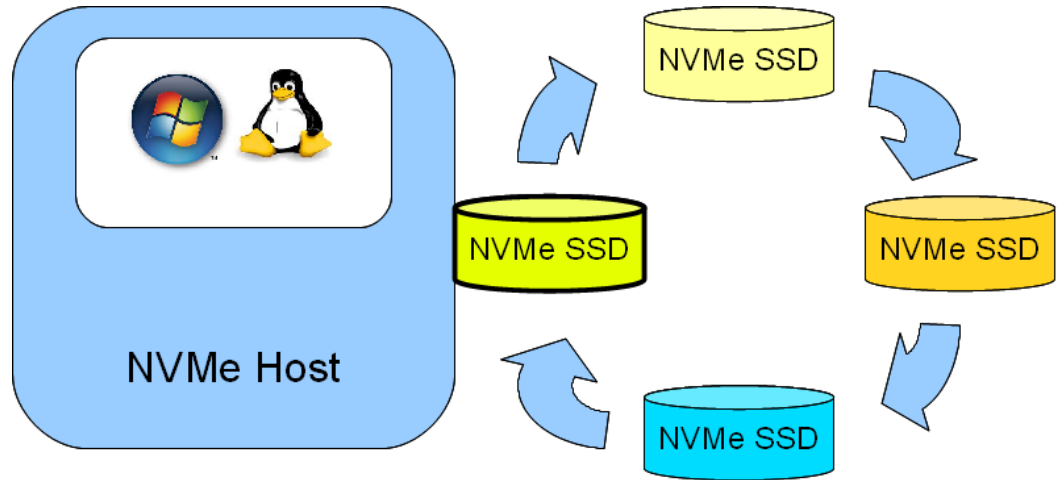


- 1st ever NVMe plugfest held at UNH-IOL May 13-16, 2013
- 11 Companies participating
- 6 products added to NVMe Integrators List





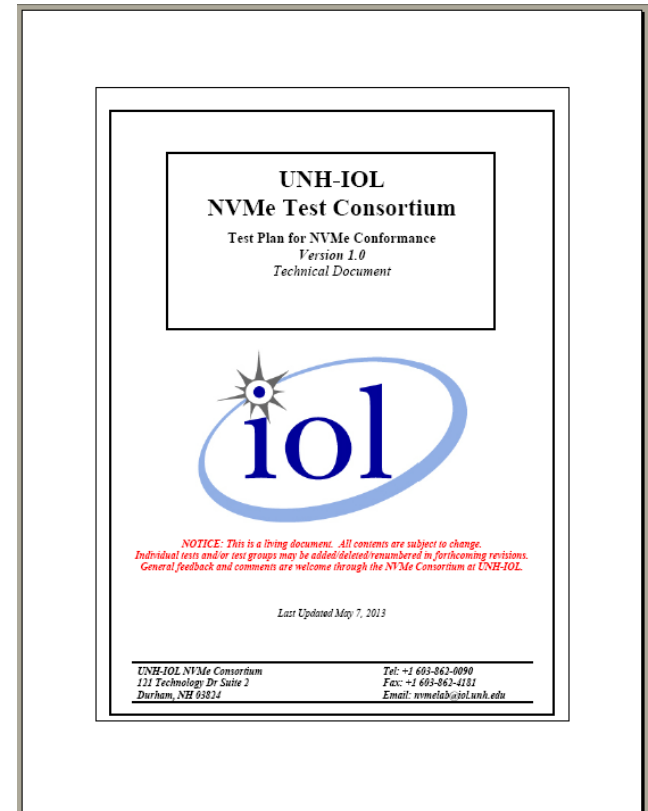
■ Interop Testing



- Tests defined in NVMe Interop Test Suite document, publically available at :
<https://www.iol.unh.edu/services/testing/NVMe/testsuites/>
- Cycle SSDs against each NVMe host
- Used vdbench on Windows and Linux OS to read/write/verify data

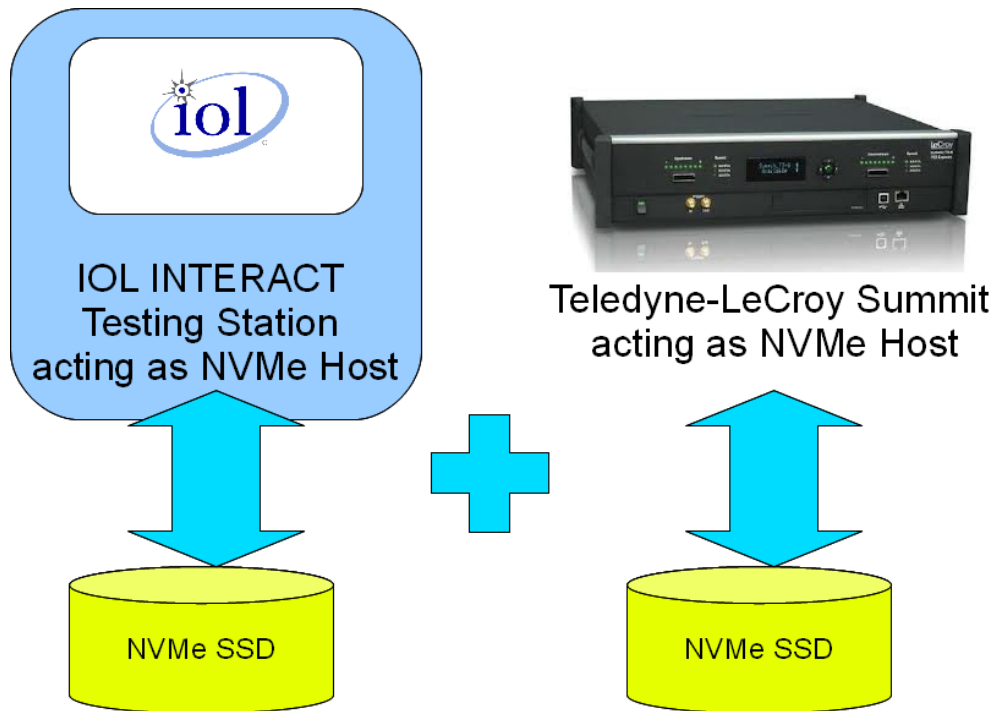


- Conformance Testing
 - Tests defined in NVMe Interop Test Suite document (publically available at www.iol.unh.edu)
 - Test tools used to check proper construction and response to different NVMe Stimuli
 - Admin Commands, NVM Commands, Controller Registers





- Conformance Testing
 - 2 types of test stations used



- NVMe Test Program Overview
- May 2013 NVMe Plugfest
- **NVMe Integrators List**
- Improving the Test Program – Continue to Climb



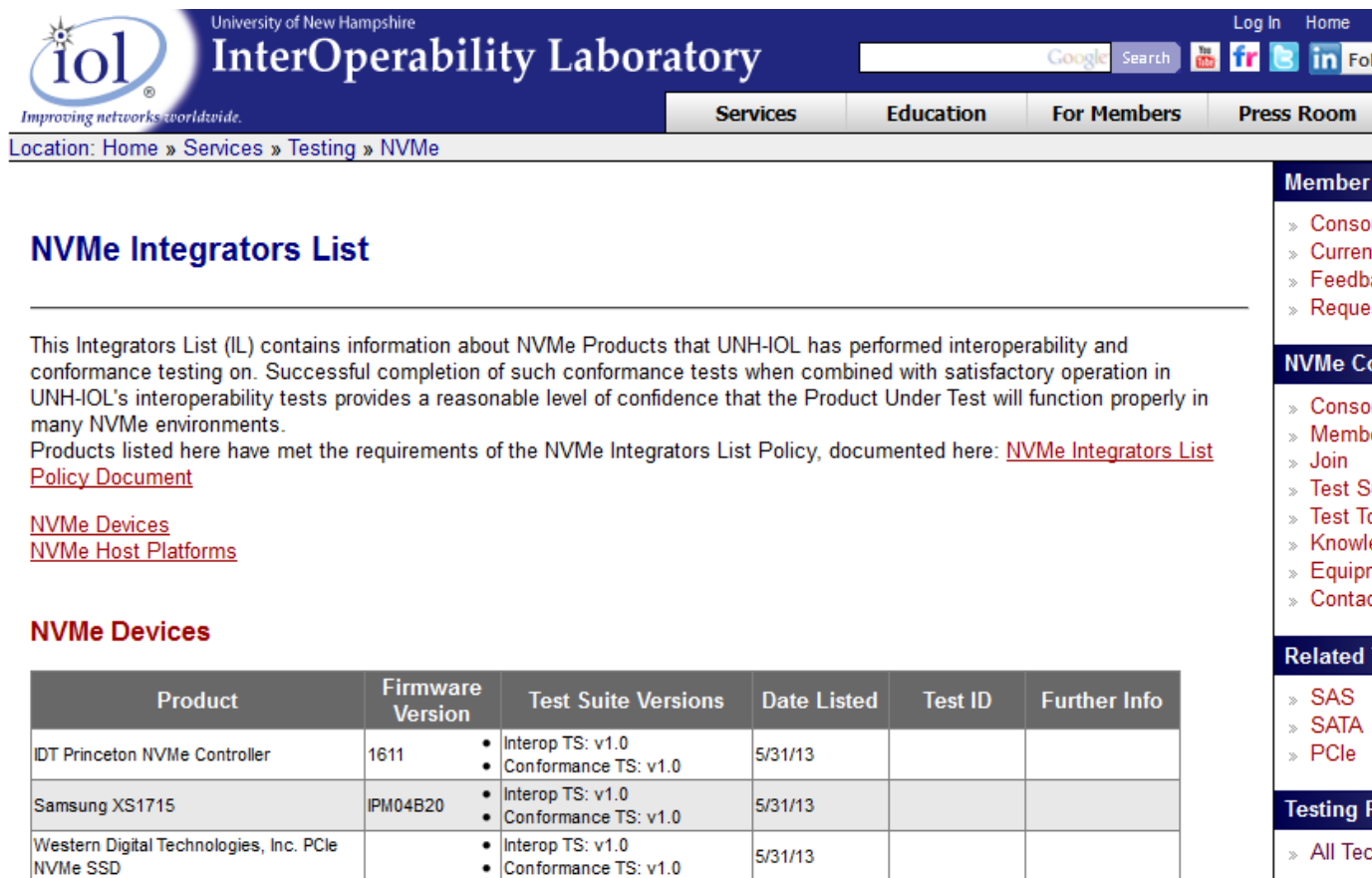


- Hosted by UNH-IOL at www.iol.unh.edu
- Opt-in list of qualifying NVMe products
- No PCIe component to qualification today
 - UNH-IOL does offer PCIe testing to complement NVMe testing, but it is not a component of the NVMe IL Qualification





<https://www.iol.unh.edu/services/testing/NVMe/integratorslist.php>



NVMe Integrators List

This Integrators List (IL) contains information about NVMe Products that UNH-IOL has performed interoperability and conformance testing on. Successful completion of such conformance tests when combined with satisfactory operation in UNH-IOL's interoperability tests provides a reasonable level of confidence that the Product Under Test will function properly in many NVMe environments. Products listed here have met the requirements of the NVMe Integrators List Policy, documented here: [NVMe Integrators List Policy Document](#)

[NVMe Devices](#)
[NVMe Host Platforms](#)

NVMe Devices

Product	Firmware Version	Test Suite Versions	Date Listed	Test ID	Further Info
IDT Princeton NVMe Controller	1611	<ul style="list-style-type: none"> Interop TS: v1.0 Conformance TS: v1.0 	5/31/13		
Samsung XS1715	IPM04B20	<ul style="list-style-type: none"> Interop TS: v1.0 Conformance TS: v1.0 	5/31/13		
Western Digital Technologies, Inc. PCIe NVMe SSD		<ul style="list-style-type: none"> Interop TS: v1.0 Conformance TS: v1.0 	5/31/13		

NVMe Integrators List as of August 7, 2013



- NVMe Host Qualification
 - Perform Interop Test against 4 different SSDs
 - Pass with 3 SSDs
 - Pass = data transfers without errors





- NVMe Device Qualification
 - Perform Interop Test against 4 different Hosts, pass with 3 Hosts
 - One of the hosts must be either the Windows or Linux Reference Driver
 - Pass all conformance tests



- NVMe Test Program Overview
- May 2013 NVMe Plugfest
- NVMe Integrators List
- **Improving the Test Program – Continue to Climb**





- First NVMe Plugfest and Current IL Qualifications established baseline.
- We are making the testing program more rigorous on both the interop and conformance fronts.



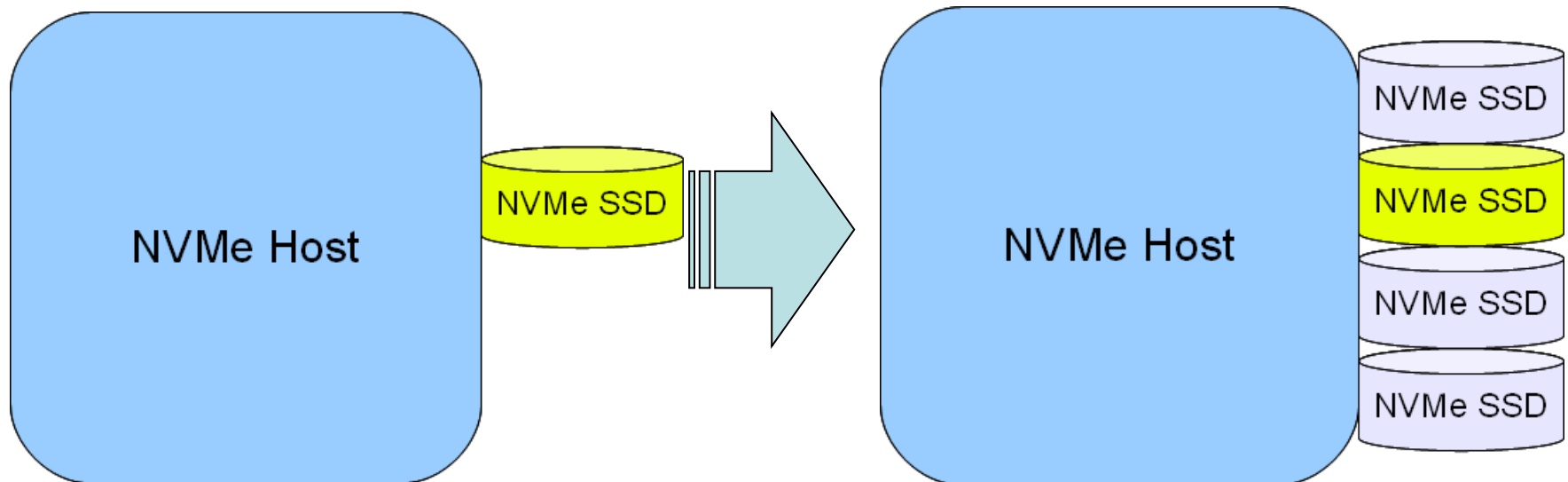


- Continue to Climb—
How?
 - Make the Interop
Tests more
Rigorous
 - Raise the IL
Qualification
requirements
 - Improve the Tools



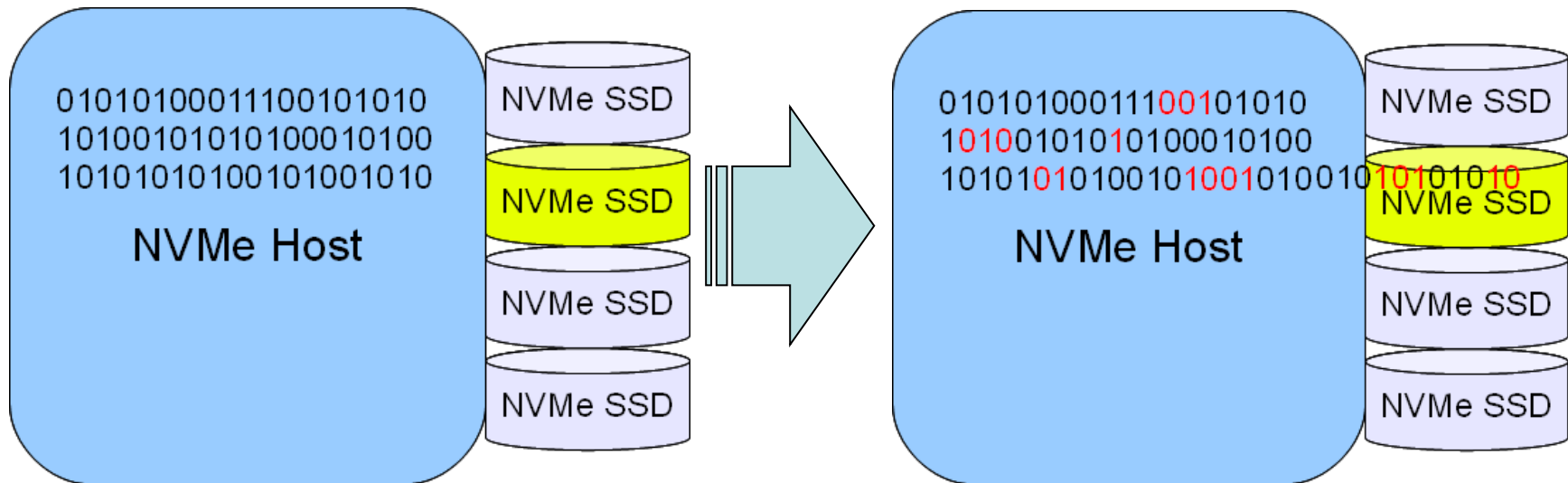


- Make the Interop Tests more Rigorous:
 - multiple SSDs in the system



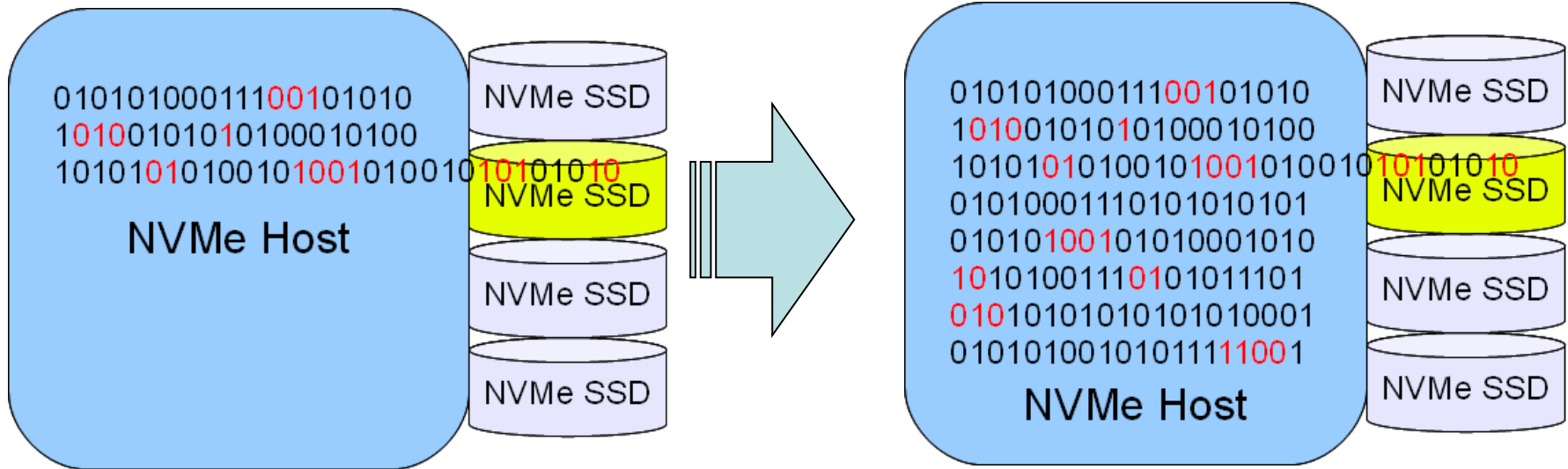


- Make the Interop Tests more Rigorous
 - stressing patterns



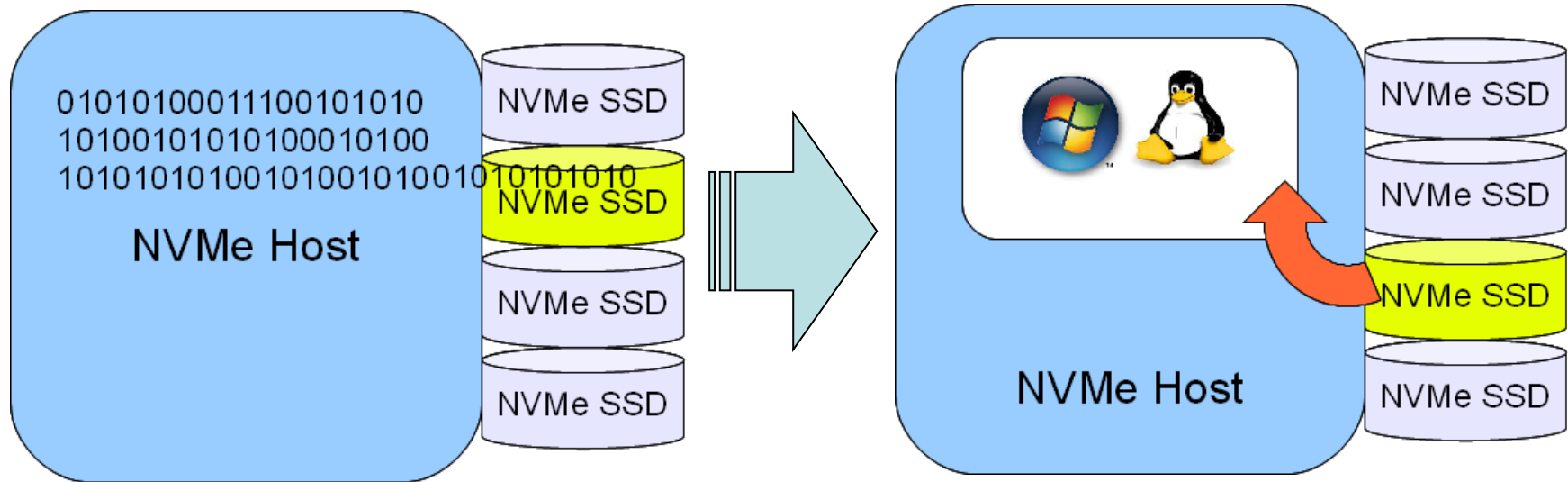


- Make the Interop Tests more Rigorous:
 - larger/varying transfer sizes





- Make the Interop Tests more Rigorous:
 - boot tests, rather than just data transfers





- Raise the IL Qualification Requirements:

Today	Tomorrow
Test with 4 products, pass with 3	Test with 5 products pass with 4
Pass with Windows or Linux reference driver	Pass with Windows and Linux reference driver



- Improve the Tools:
 - Add MSI-X support to Summit scripts.
 - Already undertaken by UNH-IOL and distributed to some members.





- Improve the Tools:
 - Improve OS support (update to Ubuntu 13.04) for IOL INTERACT.
 - Bug Fixes:
 - Set NSID to FFFFFFFFh
 - Correct AB value





- Make the Interop Tests More Rigorous
 1. Multiple Devices in the System
 2. Stressing Patterns
 3. Larger/Varying Transfer Sizes
 4. Boot from NVMe
- Raise the IL Qualification Requirements:
 - Require these more rigorous tests to be performed against more interop partners.
- Improve the tools
 - MSI-X, better OS Support, bug fixes



- These improvements to be implemented by UNH-IOL prior to the next NVMe Plugfest:
Planning Q4 2013
@ UNH-IOL Durham, NH
- UNH-IOL will continue to work with member companies to add products to the Integrators List outside of plugfest events.



nvmexpress.org