



Scale-out Storage Solutions for Today and Tomorrow

SAS Fabrics

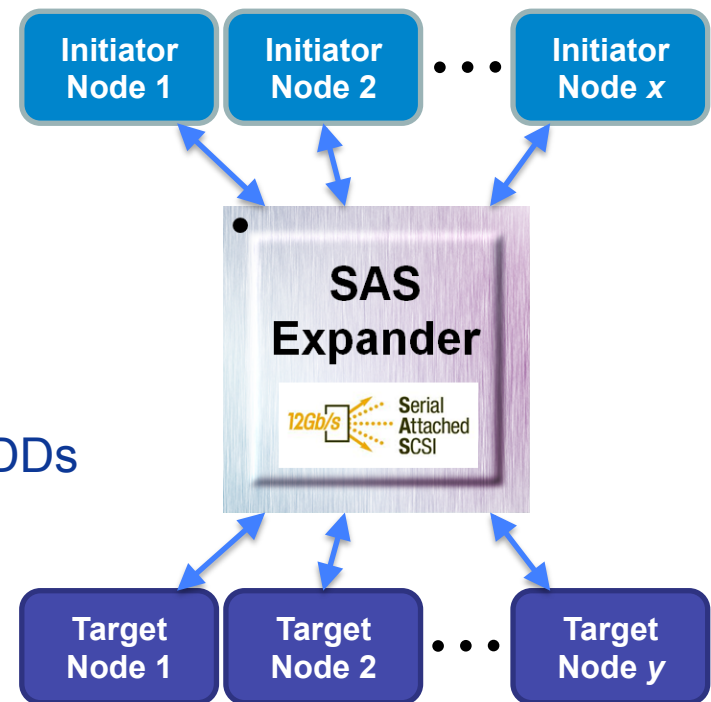
Jeremiah Tussey

PMC-Sierra, Inc.

Member, SCSI Trade Association

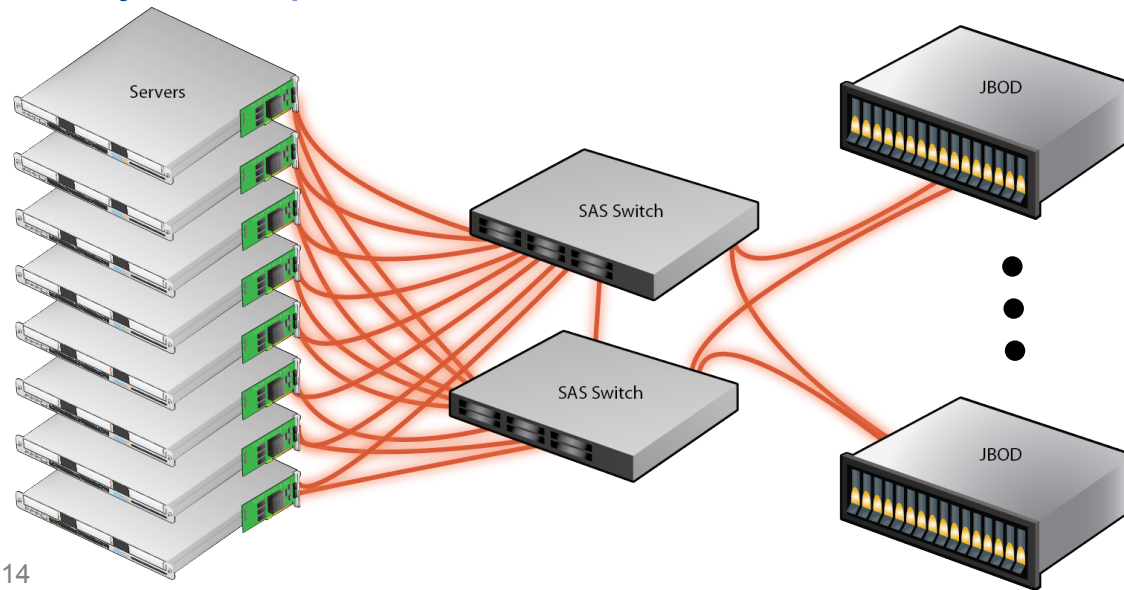
Challenge

- Provide enterprise switching services at effective costs
- Fabric Solution:
 - SAS expanders
 - Scalable connectivity
 - Scalable bandwidth
 - High availability / redundancy
 - Multi protocol support
 - Supports off-the-shelf SSDs and HDDs
 - Differentiation
 - Flexibility allows custom architectures



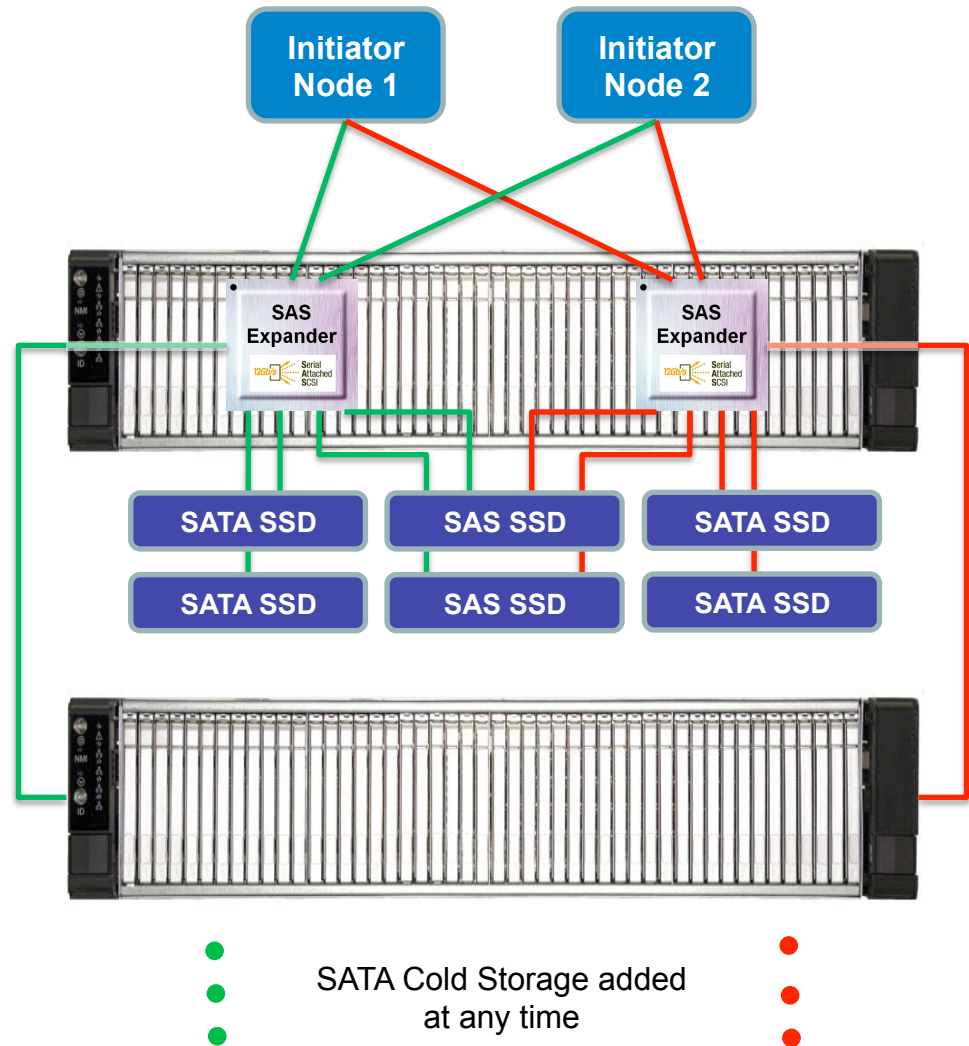
SAS Fabric Capabilities

- SCSI and RAS features
 - Surprise hot plug
 - Dual-port, Wide-port
 - Management
- Cold storage scale-out architecture review and examples (JBODs)
- Connectivity example

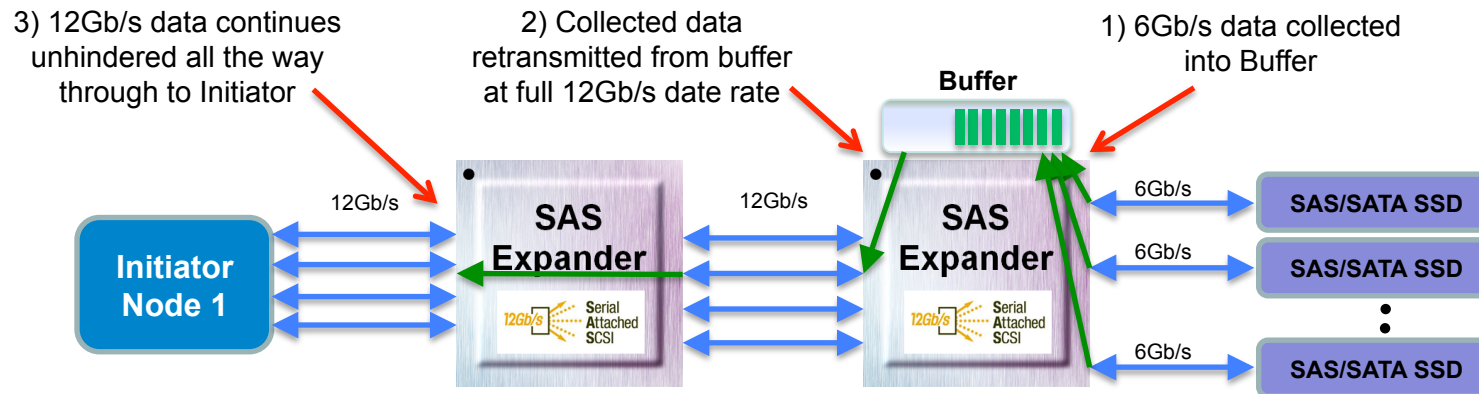


SAS Fabric Details

- Scalability
- Versatile bandwidth
 - Variable Multi-PHY links
- Supports SAS and SATA
 - Mixed connections
- Buffering
 - Minimize lower-rate BW bottlenecks
- Multi-path redundancy
 - Dual-port
- Surprise hot plug
 - Contained at PHY
 - Broadcast message



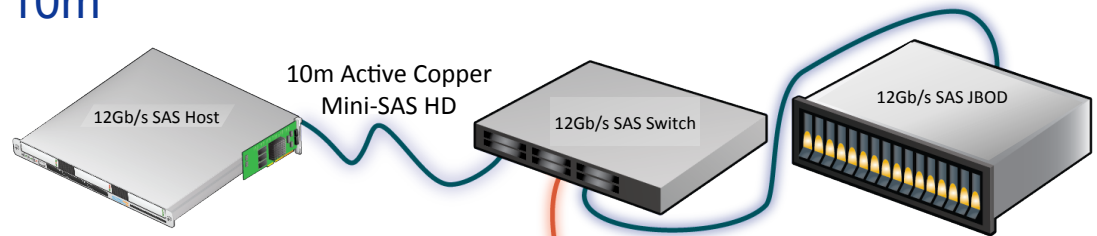
SAS Buffering



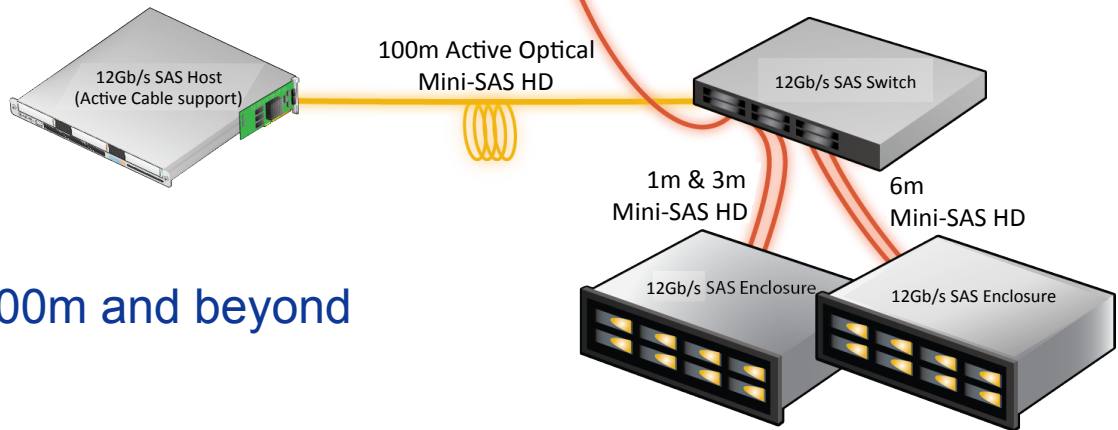
- Doubles upstream link bandwidth
 - Buffering: 2x 600MB/s streams transferred at 1.2GB/s per link
- Removes Expander to Expander Bottleneck
 - No buffering: each 600MB/s stream transferred at 600MB/s per link (half of full bandwidth)

Connectivity Options

- SAS extends the reach of storage architectures
 - Passive Copper up to 10m*



- Active Copper 10m to 25m



- Optical connections 100m and beyond



*NOTE: 10m is the recommended distance for 6Gb/s; 6m is the recommendation for 12Gb/s.