



Flash Memory Summit

# Enterprise SSD Failure Analysis and Debug

## Common Problems and Solutions

### Andrei Konan



# Topics to cover

- Specifics of Enterprise SSD Failure Analysis
- Failure Symptoms and Root Causes
- Crash Dump
- JTAG Abstraction
- Event Tracking
- Vendor Unique Interface
- Incident Package
- Summary



# Specifics of eSSD Failure Analysis

- Platform Diversity (OS, Chipsets, Adapters, Enclosures)
- Internal and Customer Qualifications last for at least a year
- Any field failure requires immediate explanations
- Inability to access customer environment / data centers

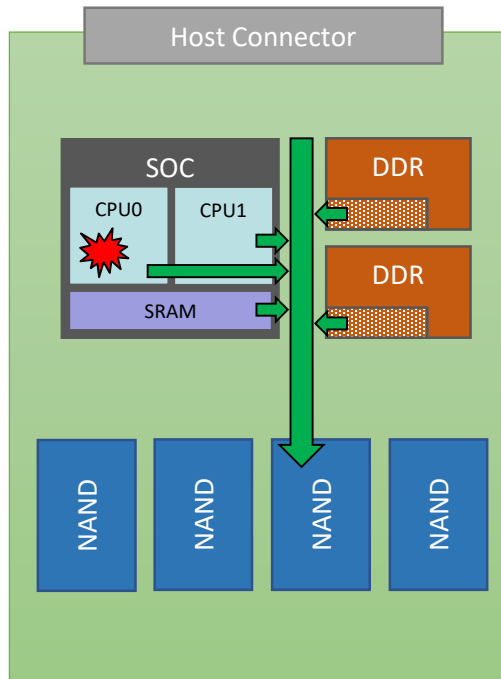


# Failure Symptoms and Root Causes

- Symptoms:
  - Drive is not recognized
  - Command timeout
  - Performance degradation
  - SMART inconsistency
  - Boot up latency
  - Link issues
  - Unexpected command abort
- Root Causes:
  - Power Loss Recovery Bug
  - NAND Malfunction
  - DRAM Issues
  - Wrong Init Sequence
  - SMART Update Miss
  - Overheat
  - Broken POSCAP



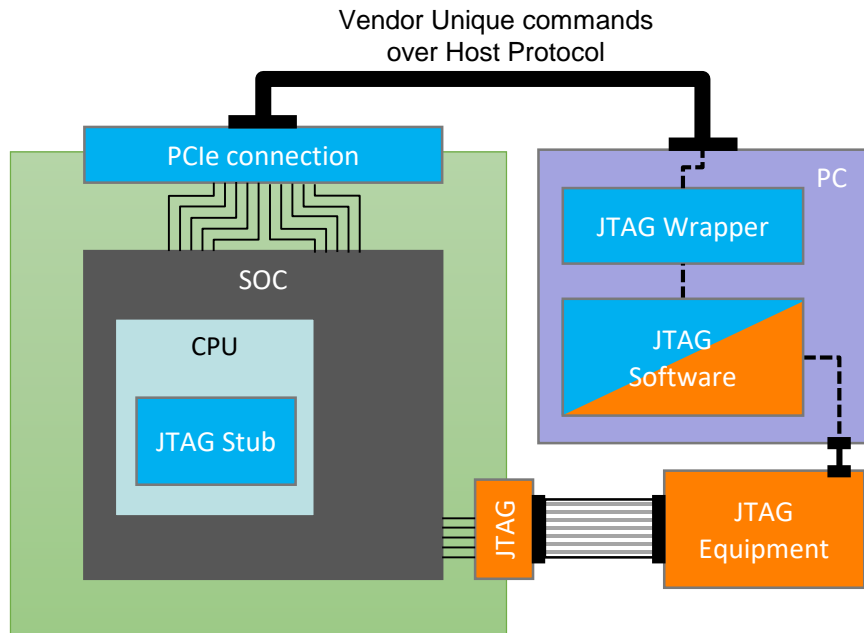
# Crash Dump = Hard Failure



- Trigger:
  - ASSERT condition
- Dump:
  - CPUs TCM and Stack
  - SRAM and DRAM portions
  - SOC registers
- Solution:
  - Flush Dump to NAND & Reboot



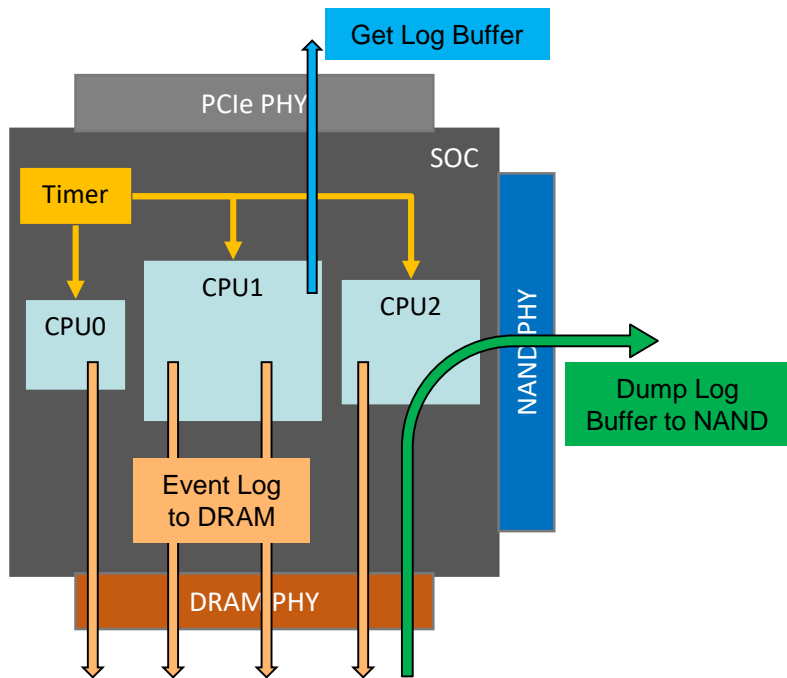
# JTAG Abstraction over PCIe



- JTAG usage is simple
  - Memory / Register Read
  - View Stack Frame
  - Breakpoint Set
- It is not for Production
- Scaling JTAG equipment during massive sample Qualification is expensive



# Event Tracking



- Every Failure is related to rear event (power on, link reset, NAND grown defect, overheat, buffer starvation)
- It is fine to log all corner case events with small meta information attached even in production
- SK Hynix owns [US20190129774A1](#) patent related to the SSD Event Tracking in Firmware



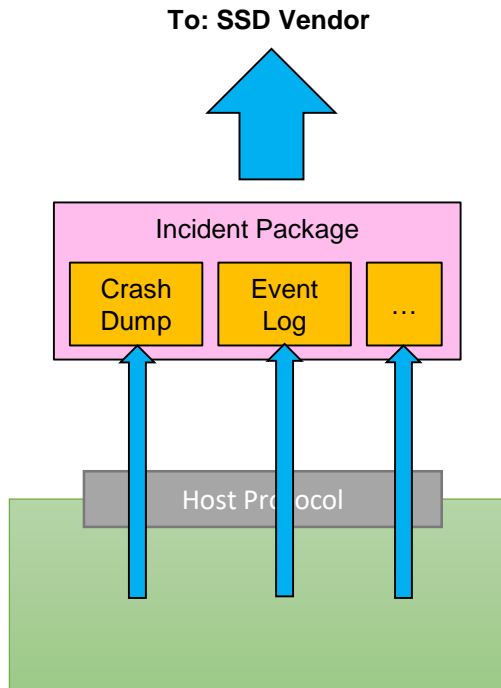
# Vendor Unique Interface

- Implemented over Host Protocol
- Opens reach debug functionality of SSD
- Gently secured in production
- Has Protocol specific alternatives (Telemetry)





# Incident Package



- Gathers maximum from failed unit
- Available in Human Readable format
  - Drive to be self-descriptive
- Complete enough to withdraw the Drive
- Requires enhanced generation tool
  - Major Server OS and Drivers support
  - Support long Physical Connection chains



# Summary

- Debug infrastructure support – high priority task
- It is good to enable debug features in production
- Fast Failure Analysis is greatly appreciated
- Phoenix Art: no matter what – keep the SSD alive